

EdiLex T-24 Ultra-Wide Angle Series



Feature & Benefits

- Integrated AC power circuit on module
- Economic total solution
- Easy refitting of existing luminaries
- Small color tolerance MacAdam 3
- Long lifetime 30,000 hours L70B10

Applications

- Ceiling light

Table of Contents

Product Code Information	3
Electrical Characteristic	4
Absolute Ratings.....	4
Electro-Optical Characteristics (Vin=120V ; Tc=25°C).....	5
Color Coordinate	6
Mechanical Dimension	7
Beam Pattern.....	8
Certificate	8
Wire condition	8
Package information	9
Precaution for Use	10
Environmental Compliance	10
Datasheet History.....	11
About Edison Opto	11

Product Code Information

Part No.	Description
5ELAEN2T12183010	AC537_3000K_18W_120V_(with Lens)CRI90_D169_Dim
5ELAEN2T12184010	AC537_4000K_18W_120V_(with Lens)CRI90_D169_Dim
5ELAEN2T12185710	AC537_5700K_18W_120V_(with Lens)CRI90_D169_Dim
5ELAEN2T12243010	AC537_3000K_24W_120V_(with Lens)CRI90_D169_Dim
5ELAEN2T12244010	AC537_4000K_24W_120V_(with Lens)CRI90_D169_Dim
5ELAEN2T12245710	AC537_5700K_24W_120V_(with Lens)CRI90_D169_Dim
5ELAEN2T12323010	AC537_3000K_32W_120V_(with Lens)CRI90_D169_Dim
5ELAEN2T12324010	AC537_4000K_32W_120V_(with Lens)CRI90_D169_Dim
5ELAEN2T12325710	AC537_5700K_32W_120V_(with Lens)CRI90_D169_Dim

Electrical Characteristic

Parameter	Min	Typ	Max	Unit
Rated supply voltage AC	115	120	125	V
Input voltage, AC	110	120	132	V
Mains frequency		50/60		Hz
Power factor		0.95		--
Percent Flicker			30	%
THD		30		%
Beam characteristic		160		°
Operating ambient temperature		-25~+55		°C
Tc point	--	85	--	°C
Hi-pot Test (AC input to Bottom)	1.24			KV

Absolute Ratings

Parameter	Min	Max	Unit
Input voltage	--	132	V
Surges protection(L/N)	--	1.0	KV
Case Temperature (Tc)	--	100	°C
Operating ambient temperature	-25	+55	°C
Storage ambient temperature	-40	+30	°C
Storage ambient humidity	--	45	%

Electro-Optical Characteristics (Vin=120V ; Tc=25°C)

5ELAEN2T1218xx10

Part No.	Parameter	Min	Typ	Max	Unit	
5ELAEN2T12183010 5ELAEN2T12184010 5ELAEN2T12185710	Power consumption	16.2	18	19.8	W	
	Lumen Flux at Tc=25°C	3000K	1450	1650	--	Lm
		4000K		1750		
		5700K		1750		
	Color rendering index (Ra)	90	--	--	--	
R9	50	--	--			

5ELAEN2T1224xx10

Part No.	Parameter	Min	Typ	Max	Unit	
5ELAEN2T12243010 5ELAEN2T12244010 5ELAEN2T12245710	Power consumption	21.6	24	26.4	W	
	Lumen Flux at Tc=25°C	3000K	1850	2100	--	Lm
		4000K		2300		
		5700K		2300		
	Color rendering index (Ra)	90	--	--	--	
R9	50	--	--			

5ELAEN2T1232xx10

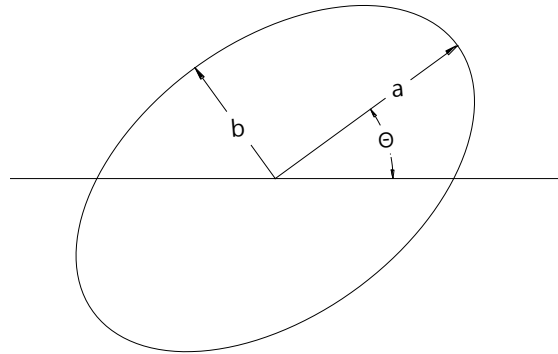
Part No.	Parameter	Min	Typ	Max	Unit	
5ELAEN2T12323010 5ELAEN2T12324010 5ELAEN2T12325710	Power consumption	28.8	32	35.2	W	
	Lumen Flux at Tc=25°C	3000K	2450	2800	--	Lm
		4000K		3200		
		5700K		3200		
	Color rendering index (Ra)	90	--	--	--	
R9	50	--	--			

Note:

Measurement precision $\pm 10\%$ for the flux data and $\pm 10\%$ for the efficacy data.

Measurement precision for CRI ± 2 and for color temperature $\pm 150K$

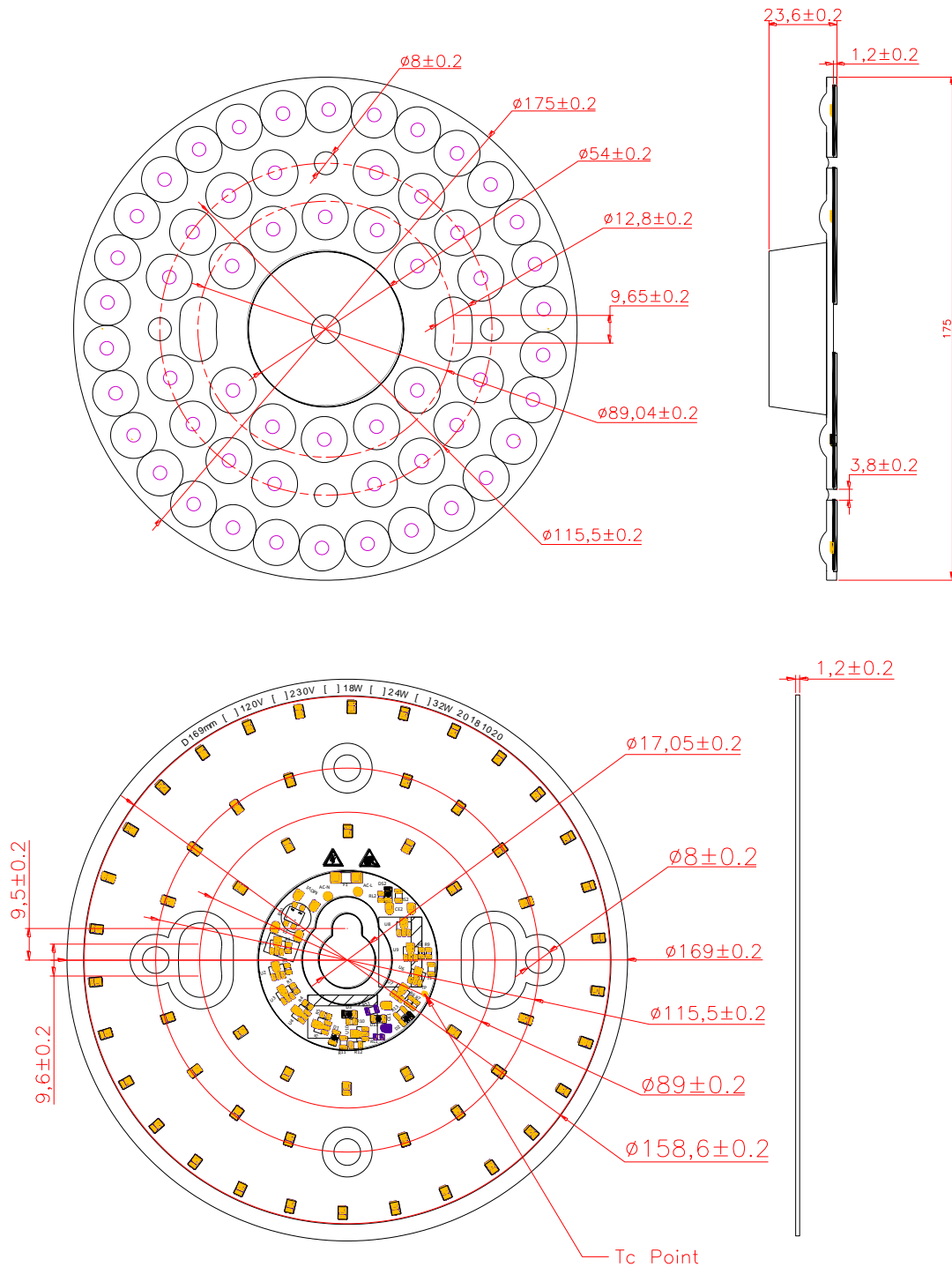
Color Coordinate



CCT	Steps	Cx	Cy	a	b	theta
3000K	3	0.4338	0.4030	0.00834	0.00408	53.22
4000K	3	0.3818	0.3797	0.00939	0.00402	53.72
5700K	3	0.3287	0.3417	0.00746	0.00320	59.09

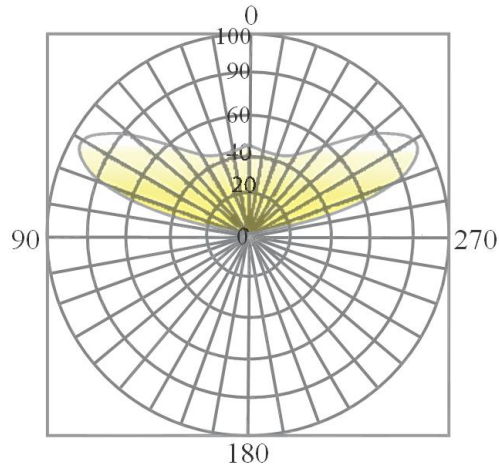
Mechanical Dimension

5ELACN2T12xxxx10



Note:
All dimension unit in mm

Beam Pattern

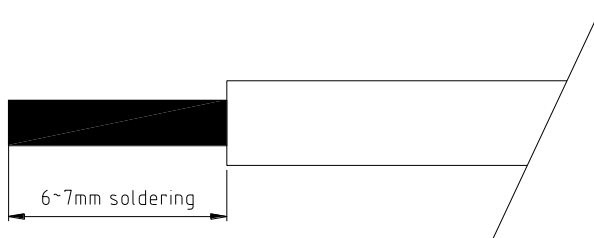


Certificate

Regulation	Remark
FCC Part 15 Subpart B	No. : ATE20182019
ETL	No. : 5000694
ICES-005	No. : ATE20182020
REACH	Hazardous Substance & Material
RoHS	Hazardous Substance & Material

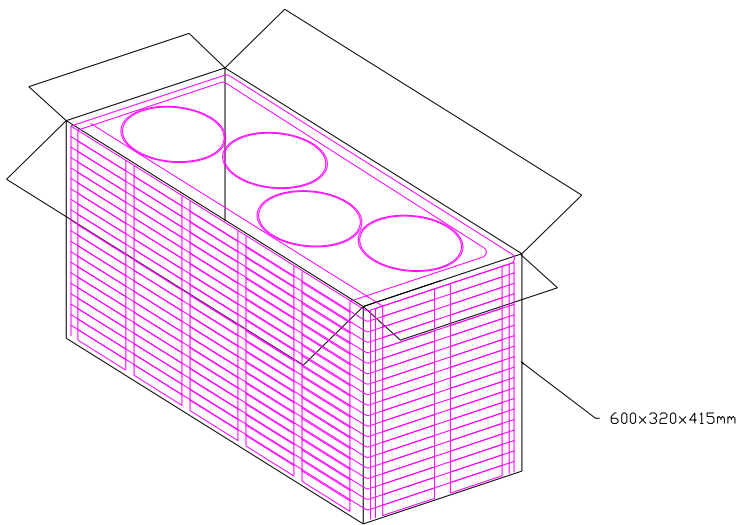
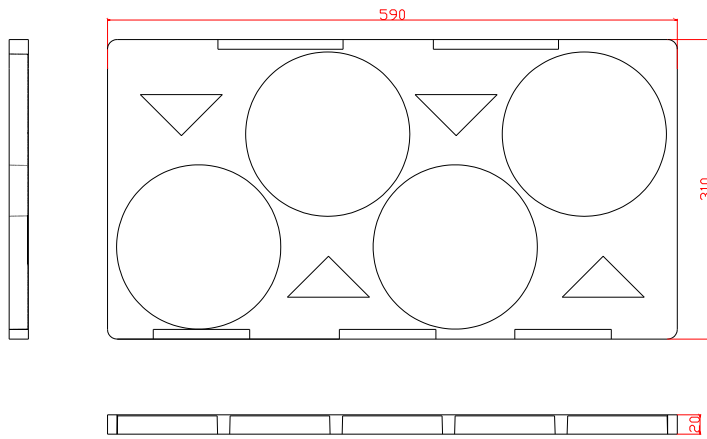
Wire condition

The wiring should be solid cable with a cross section of 0.4 to 0.75mm².
For the push-wire connection you have to strip the insulation (6-7mm)



Package information

5ELACN2T12xxxx10



Part No.	Parameter	Bubble Bag	Inner Box	Outer Box
5ELACN2T12xxxx10	Number of Module	4EA		80EA
	Number of Tray	--		20EA

Precaution for Use

1. Please note that AC Module products are driven by high voltage, therefore when operating AC Modules should be very cautious.
2. DO NOT touch the circuit board, components or terminals with body or metal while the circuit is active.
3. DO NOT add or change wires while the circuit of AC Module is active.
4. Long time exposure to sunlight or UV should be avoided; otherwise, it may cause the discoloration of lens.
5. DO NOT use adhesives to attach the LED that outgas organic vapor.
6. DO NOT use the products with materials containing Sulfur.
7. DO NOT assemble in humid environment or the conditions of containing oxidizing gas such as Cl, H₂S, NH₃, SO₂, NO_x, etc.
8. DO NOT make any modifications on the products.
9. AC Module uses integrated circuit (IC) which can be damaged when exposed to static electricity. Please operate with antistatic device. Do not touch the product unless ESD protection is used. AC Module can't be installed in end product unless the ESD protection is used.
10. DO NOT press the product; even a slight pressure may damage the product. The environments such as high temperatures, high humidity or direct expose to sunlight should be avoided since the product is sensitive to these conditions.
11. Storage Precautions:
 - (1) The devices should be stored in the anti-static bag.
 - (2) If the anti-static bag has been opened, please make sure to reseal the bag to avoid air and moisture infiltrate in the bag.
12. It is strongly suggested to wear rubber insulated gloves and rubber bottom shoes while operating the AC Modules.
13. DO NOT wear any conductive accessories (such as jewelry) which could accidentally get an electric shock.
14. Faults, lightning, or fast switch may cause voltage surge which surpasses the normal value.
15. The failure of internal component may cause excessive voltages.
16. DO NOT directly make the HI-POT test over DC 1700V on the module.
17. DO NOT separately connection L and N terminal when the power source turn on.

Environmental Compliance

AC module series are compliant to the Restriction of Hazardous Substances Directive or RoHS. The restricted materials including lead, mercury cadmium hexavalent chromium, polybrominated biphenyls (PBB) and polybrominated diphenyl ether (PBDE) are not used in AC module series to provide an environmentally friendly product to the customers.

Datasheet History

Versions	Modification	Date
1	Establish a Datasheet	2019/12/31

About Edison Opto

Edison Opto is a leading manufacturer of high power LED and a solution provider experienced in LDMS. LDMS is an integrated program derived from the four essential technologies in LED lighting applications- Thermal Management, Electrical Scheme, Mechanical Refinement, Optical Optimization, to provide customer with various LED components and modules. More Information about the company and our products can be found at www.edison-opto.com

Copyright© 2019 Edison Opto. All rights reserved. No part of publication may be reproduced or transmitted in any form or by any means, electronic or mechanical, including photo copy, recording or any other information storage and retrieval system, without prior permission in writing from the publisher. The information in this publication are subject to change without notice.

www.edison-opto.com

For general assistance please contact:

service@edison-opto.com.tw

For technical assistance please contact: LED.Detective@edison-opto.com.tw