

High Efficiency Lightbar IP67 Series Datasheet



Product description :

- 24 V constant voltage strip (SELV)
- Waterproof Level IP67
- PU Extrusion Molding Technology

Features and benefits :

- Small color tolerance, $R_a > 80$
- Color temperature 3000, 4000 and 6000 K
- Life-time 30,000-50,000 hours
- 3-5-year guarantee

Typical Applications :

- Outdoor or indoor Contour/Border Lighting
- Architectural outline /decorative lighting

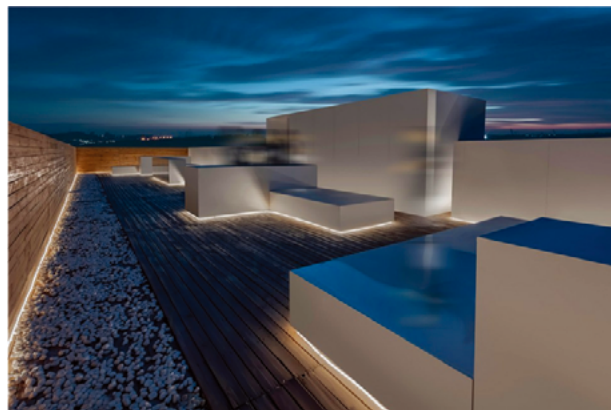


Table of Contents

General Information.....	3
Technical data.....	3
Product Dimensions.....	4
Electric-Optical Characteristics	5
Standards	6
Thermal details.....	6
Life time	7
Product Packaging Information.....	8
Precaution for Use.....	9
Environmental Compliance	9
Application Notes.....	9
Revision History	10
About Edison Opto	10

General Information

Ordering Code Format

6 LBU4 xx J E0 S xxx xx
 X1 X2 X3 X4 X5 X6 X7 X8

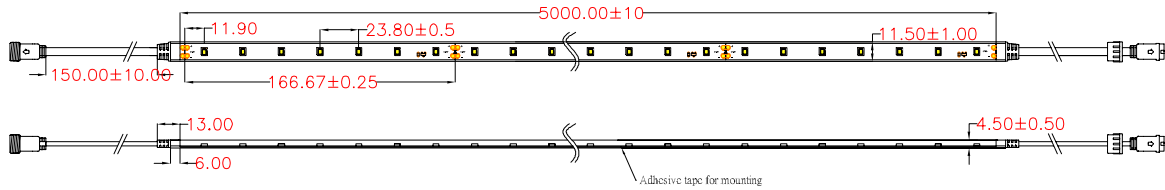
X1 Item	X2 Series	X3 Emitting Color		X4 Driver		X5 Length		X6 Emitter		X7 Number of LEDs (M)		X8 Serial No.			
6	Module LBU4	FPC	IP67	CW	Cool White	J	CV 24V	E0	5M	S	2835	042	42pcs	xx	--
				NW	Neutral White							070	70pcs		
				WW	Warm White							080	80pcs		

Technical data

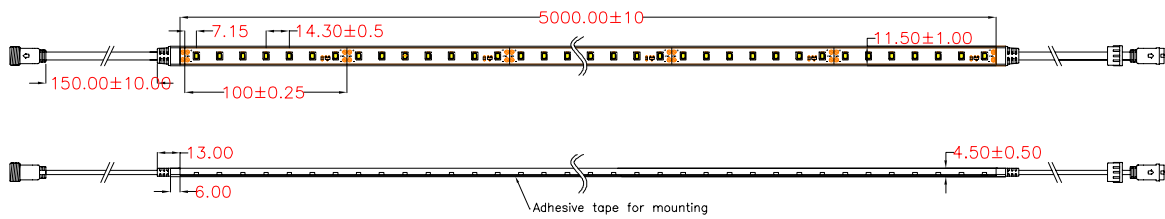
Parameter	Value	Units
Beam characteristic	120	°C
Ambient temperature range	-25~ +45	°C
Tp rated	65	°C
Tc	75	°C
Type of protection	IP67	
Color Temperature	3000	K
	4000	K
	6000	K
Number of connection	5	M
Risk group(EN62778)	1	
Classification acc. to	IEC62031	
	IEC62778	
	IEC62717	
	IEC61000-4-2	

Product Dimensions

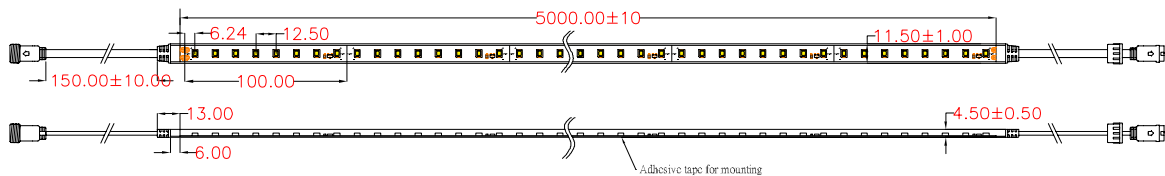
6LBU4xWJE0S042xx Dimensions (2835 42D/M IP67 Series)



6LBU4xWJE0S070xx Dimensions (2835 70D/M IP67 Series)



6LBU4xWJE0S080xx Dimensions (2835 80D/M IP67 Series)

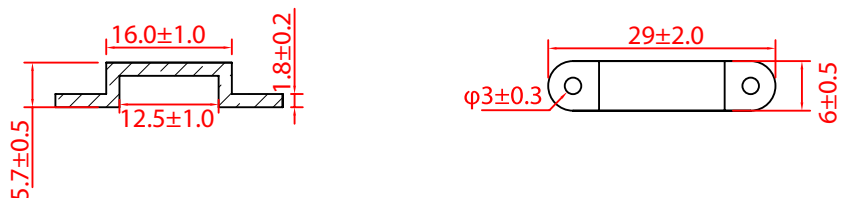


Notes:

1. All dimensions are in millimeters.
2. Tolerance is ± 0.20 mm

Accessory

Clip: 4 clip for each 5M



Note:

All dimensions are in millimeters.

Electric-Optical Characteristics

6LBU4xWJE0S042xx Dimensions (2835 42D/M IP67 Series)

Order code	CCT (K)	Voltage (CV)	Luminous flux TP25°C	Luminous flux TP65°C	Efficacy TP25°C	Efficacy TP65°C	Power (W/M)	Ra
6LBU4CWJE0S04203	6000	24	1000 lm/M	900 lm/M	116 lm/W	104 lm/W	8.6	>80
6LBU4NWJE0S04203	4000	24	960 lm/M	864 lm/M	112 lm/W	100 lm/W	8.6	>80
6LBU4WWJE0S04203	3000	24	920 lm/M	828 lm/M	107 lm/W	96 lm/W	8.6	>80

6LBU4xWJE0S070xx Dimensions (2835 70D/M IP67 Series)

Order code	CCT (K)	Voltage (CV)	Luminous flux TP25°C	Luminous flux TP65°C	Efficacy TP25°C	Efficacy TP65°C	Power (W/M)	Ra
6LBU4CWJE0S07003	6000	24	1680 lm/M	1512 lm/M	117 lm/W	105 lm/W	14.4	>80
6LBU4NWJE0S07003	4000	24	1620 lm/M	1458 lm/M	113 lm/W	102 lm/W	14.4	>80
6LBU4WWJE0S07003	3000	24	1540 lm/M	1386 lm/M	107 lm/W	96 lm/W	14.4	>80

6LBU4xWJE0S080xx Dimensions (2835 80D/M IP67 Series)

Order code	CCT (K)	Voltage (CV)	Luminous flux TP25°C	Luminous flux TP65°C	Efficacy TP25°C	Efficacy TP65°C	Power (W/M)	Ra
6LBU4CWJE0S08001	6000	24	1600lm/M	1440lm/M	148lm/W	133lm/W	10.8	>80
6LBU4NWJE0S08001	4000	24	1560 lm/M	1044lm/M	144lm/W	130lm/W	10.8	>80
6LBU4WWJE0S08001	3000	24	1500lm/M	1044lm/M	139lm/W	125lm/W	10.8	>80

Notes:

1. The Maximum and minimum lumen flux are based on $\pm 10\%$ of the typical rate.
2. The Maximum and minimum Power are based on $\pm 10\%$ of the typical rate.
3. CCT are based on $\pm 10\%$ of the typical rate.

Standards

Energy classification

Type	CCT	Energy Classification
2835 42D/M IP67 Series	3000K	A+
	4000/6000K	A+
2835 70D/M IP67 Series	3000K	A+
	4000/6000K	A+
2835 80D/M IP67 Series	3000K	A++
	4000/6000K	A++

Thermal details

Energy classification

Storage temperature:-35 ... +70 °C

Operation only in non condensing environment.

Humidity during processing of the module should be between 0 to 70 %

Life time

Life-time, lumen maintenance and failure rate

1. The light output of an LED Module decreases over the life-time, this is characterized with the L value.
2. L70 means that the LED module will give 70 % of its initial luminous flux. This value is always related to the number of operation hours and therefore defines the life-time of an LED module.
3. As the L value is a statistical value and the lumen maintenance may vary over the delivered LED modules value defines the amount of modules which are below the specific L value, e.g. L70B10 means 10 % of the LED modules are below 70 % of the initial luminous flux, respectively 90 % will be above 70 % of the initial value. In addition the percentage of failed modules (fatal failure) is characterized by the C value.
4. The F value is the combination of the B and C value. That means for F degradation and complete failures are considered, e.g. L70F10 means 10 % of the LED Modules may fail or below 70% of the initial luminous flux.

Lumen maintenance for 2835-42D/M IP67 Series

Supply Voltage	Tp temperature	L90/F10	L90/F50	L80/F10	L80/F50	L70/F10	L70/F50
24V	40	>30,000 h	>30,000 h	>30,000 h	>30,000 h	>30,000 h	>30,000 h
24V	45	>28,000 h	>28,000 h	>29,000 h	>30,000 h	>30,000 h	>30,000 h
24V	55	>25,000 h	>26,000 h	>27,000 h	>30,000 h	>30,000 h	>30,000 h
24V	65	>22,000 h	>23,000 h	>24,000 h	>30,000 h	>30,000 h	>30,000 h
24V	75	>20,000 h	>22,000 h	>23,000 h	>30,000 h	>30,000 h	>30,000 h

Lumen maintenance for 2835-70D/M IP67 Series

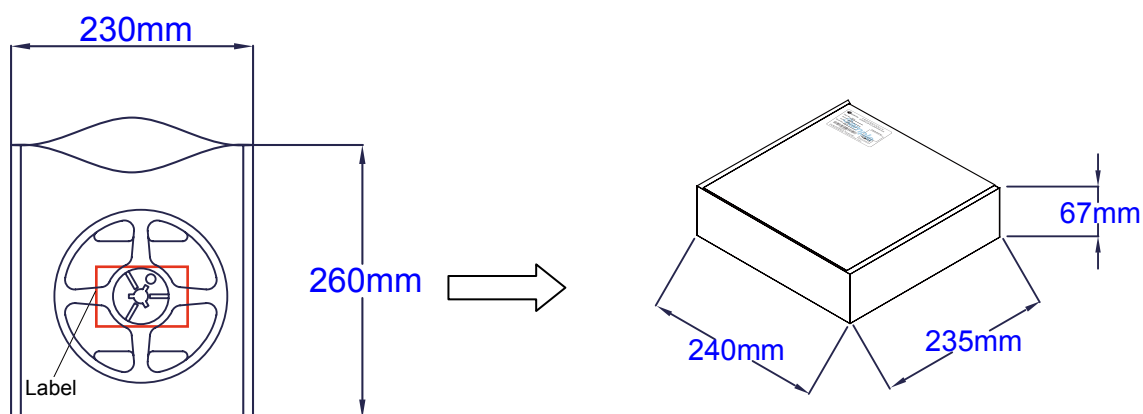
Supply Voltage	Tp temperature	L90/F10	L90/F50	L80/F10	L80/F50	L70/F10	L70/F50
24V	40	>30,000 h	>30,000 h	>30,000 h	>30,000 h	>30,000 h	>30,000 h
24V	45	>28,000 h	>28,000 h	>29,000 h	>30,000 h	>30,000 h	>30,000 h
24V	55	>25,000 h	>26,000 h	>27,000 h	>30,000 h	>30,000 h	>30,000 h
24V	65	>22,000 h	>23,000 h	>24,000 h	>30,000 h	>30,000 h	>30,000 h
24V	75	>20,000 h	>22,000 h	>23,000 h	>30,000 h	>30,000 h	>30,000 h

Lumen maintenance for 2835-80D/M IP67 Series

Supply Voltage	Tp temperature	L90/F10	L90/F50	L80/F10	L80/F50	L70/F10	L70/F50
24V	40	>30,000 h	>30,000 h	>30,000 h	>30,000 h	>30,000 h	>30,000 h
24V	45	>28,000 h	>28,000 h	>29,000 h	>30,000 h	>30,000 h	>30,000 h
24V	55	>25,000 h	>26,000 h	>27,000 h	>30,000 h	>30,000 h	>30,000 h
24V	65	>22,000 h	>23,000 h	>24,000 h	>30,000 h	>30,000 h	>30,000 h
24V	75	>20,000 h	>22,000 h	>23,000 h	>30,000 h	>30,000 h	>30,000 h

Product Packaging Information

Type	Anti-static bag size(mm)	Anti-static bags/ inner box(pcs)	Inner box/ carton(pcs)	Outside Carton size(mm)	GW±5% (kg)
2835-42D/M IP67 Series	260x230x10	3	10	488x261x364	12.4
2835-70D/M IP67 Series	260x230x10	3	10	488x261x364	12.4
2835-80D/M IP67 Series	260x230x10	3	10	488x261x364	12.4

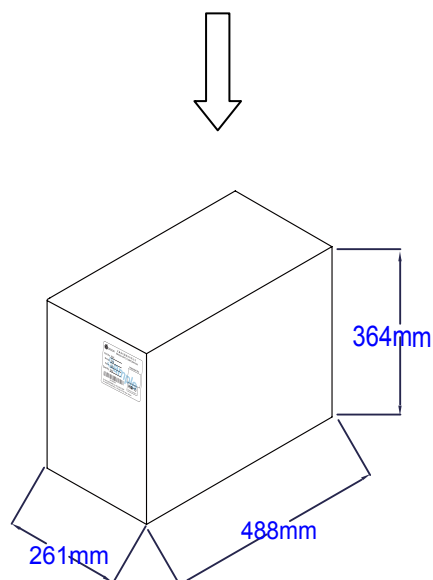


EX:

 艾笛森光電股份有限公司 EDISON OPTO CORPORATION	
Part No. : <u>6LBxxxxxxxxxxxx</u>	Inspected by:
Color : <u>Cool White(34W3FVB2)</u>	<input type="text"/>
Quantity : <u>1 Reel(5M)</u>	
Lot No. : <u>D1201-12110022</u>	
 A410000005 Tel +86-2-82276996 Fax +86-2-8227-6997 4F No.800 Chung-Cheng ., Chung-Ho City Taipei. Taiwan	

Label information

Part NO. : Order code
 Color : Color(Emitter BIN color)
 Quantity : The number of packing
 Lot NO. : Date code



Precaution for Use

1. DO NOT use the products with materials has Sulfur.
2. DO NOT assemble in humid environment or the conditions of containing oxidizing gas such as C1, H2S, NH3, SO2, NOX, etc.
3. DO NOT add or change wires while the circuit of Module is active. Long time exposure to sunlight or UV should be avoided.
4. DO NOT press the product; even a slight pressure may damage the product. The environments such as high temperatures, high humidity or direct expose to sunlight should be avoided since the product is sensitive to these conditions.
5. Installation of LED modules (with power supplies) needs to be made with regard to all applicable and safety standards. Only qualified personnel should be allowed to perform installations.
6. Assembly must not damage or destroy conducting paths on the circuit board.
7. Please ensure that the power supply is of adequate power to operate the total load.
8. The maximum run length from any power feed should be limited to 5000 mm.

Environmental Compliance

PLCC lightbar FPC series are compliant to the Restriction of Hazardous Substances Directive or RoHS. The restricted materials including lead, mercury cadmium hexavalent chromium, polybrominated biphenyls (PBB) and polybrominated diphenyl ether (PBDE) are not used in PLCC lightbar FPC series to provide an environmentally friendly product to the customers.

Application Notes

PLCC Lightbar series are available in red, yellow, green, blue, white, neutral white and warm white for application such as under-cabinet lighting, cove lighting and wall washing. Moreover, additional fine-tuned high color rendering index (CRI) version of white, neutral white and warm white all make PLCC Lightbar the ideal lighting choice for vividly building or decoration products, presenting the products outline.

Revision History

Versions	Description	Release Date
1	Establish order code information	2017/05/22
2	Revise 6LBU4xWJE0S042xx Forward Current Value	2017/08/01
3	Upgrade version	2019/08/28

About Edison Opto

Edison Opto is a leading manufacturer of high power LED and a solution provider experienced in LDMS. LDMS is an integrated program derived from the four essential technologies in LED lighting applications- Thermal Management, Electrical Scheme, Mechanical Refinement, Optical Optimization, to provide customer with various LED components and modules. More Information about the company and our products can be found at www.edison-opto.com

Copyright©2019 Edison Opto. All rights reserved. No part of publication may be reproduced or transmitted in any form or by any means, electronic or mechanical, including photo copy, recording or any other information storage and retrieval system, without prior permission in writing from the publisher. The information in this publication are subject to change without notice.

www.edison-opto.com

For general assistance please contact:
service@edison-opto.com.tw

For technical assistance please contact:
LED.Detective@edison-opto.com.tw