

PLCC 5050 Hunter Lightbar IP54 Datasheet



Product description :

- 12/24 V constant voltage strip (SELV)
- Waterproof Level IP54

Features and benefits :

- Small color tolerance, $R_a > 80$
- Color temperature 3000, 4000 and 6000 K
- 3-year guarantee

Typical Applications :

- Indoor Contour/Border Lighting
- Bathroom lighting
- Automobile decorative lighting



Table of Contents

General Information.....	3
Technical data.....	3
Mechanical Dimensions.....	4
Electric-Optical Characteristics	5
Standards	6
Thermal details.....	6
Product Packaging Information.....	7
Precaution for Use.....	8
Environmental Compliance.....	8
Application Notes.....	8
Revision History	9
About Edison Opto	9

General Information

Ordering Code Format

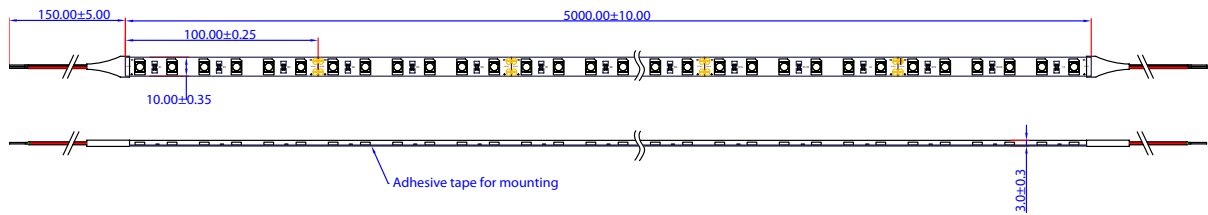
<u>6</u> X1	<u>LBU2</u> X2	<u>XX</u> X3	<u>X</u> X4	<u>X0</u> X5	<u>X</u> X6	<u>XXX</u> X7	<u>XX</u> X8
X1	X2	X3	X4	X5	X6	X7	X8
Item	Series	Emitting Color		Driver	Length		
6	Module	LBU2	FPC	CW Cool White NW Neutral White WW Warm White M1 RGB	I CV 12V J CV 24V	E0	5.0M
X6	X7	X8					
Emitter	Number of LEDs (M)		Serial No.				
M 5050	060	60pcs	xx --				

Technical data

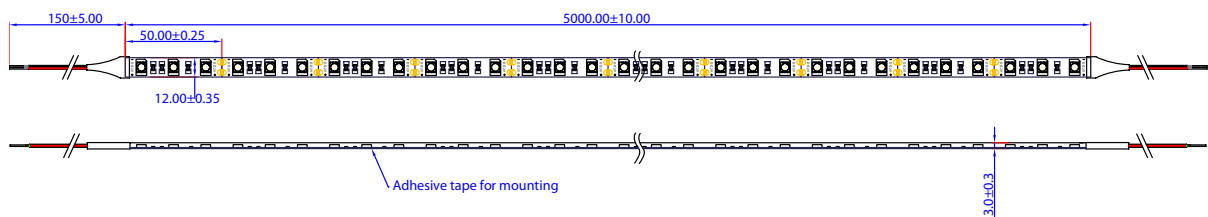
Parameter	Value	Units
Beam characteristic	120	°C
Ambient temperature range	-25~ +45	°C
Tp rated	65	°C
Tc	75	°C
DC supply voltage	24	V
Type of protection	IP54	
Color Temperature	3000	K
	4000	K
	6000	K
Number of connection	5	M
Risk group(EN62778)	1	
ESD classification	Severity level 1	
Classification acc. to	IEC62031	
	IEC62778	
	IEC62717	
	IEC61000-4-2	

Mechanical Dimensions

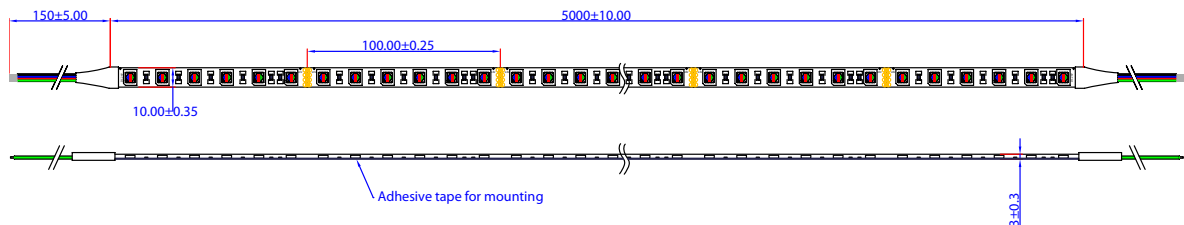
5050 60D/M IP54 CV12V Series



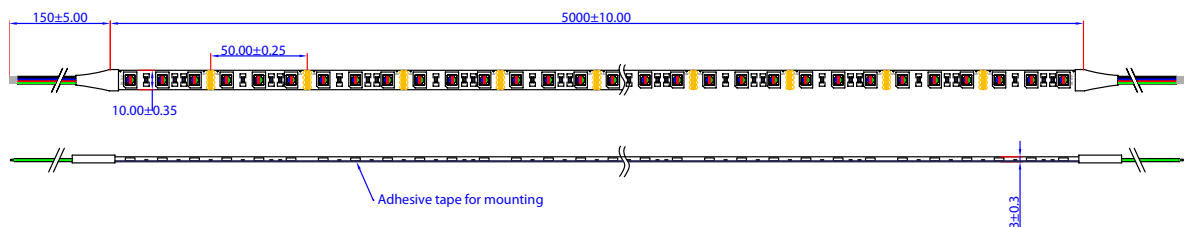
5050 60D/M IP54 CV24V Series



5050 RGB 60D/M IP54 CV24V Series



5050 RGB 60D/M IP54 CV12V Series



Notes:

1. All dimensions are in millimeters.
2. Tolerance is ± 0.20 mm

Electric-Optical Characteristics

5050 60D/M IP54 CV12V Series

Order code	CCT (K)	Voltage (CV)	Luminous flux TP25°C	Luminous flux TP65°C	Efficacy TP25°C	Efficacy TP65°C	Power (W/M)	Ra
6LBU2CWIE0M06004	6000K	12	1295 lm/M	1165 lm/M	90 lm/W	81 lm/W	14.4	>80
6LBU2NWIE0M06004	4000K	12	1295 lm/M	1165 lm/M	90 lm/W	81 lm/W	14.4	>80
6LBU2WWIE0M06004	3000K	12	1165 lm/M	1048 lm/M	81 lm/W	73 lm/W	14.4	>80

5050 60D/M IP54 CV24V Series

Order code	CCT (K)	Voltage (CV)	Luminous flux TP25°C	Luminous flux TP65°C	Efficacy TP25°C	Efficacy TP65°C	Power (W/M)	Ra
6LBU2CWJE0M06004	6000K	24	1295 lm/M	1165 lm/M	90 lm/W	81 lm/W	14.4	>80
6LBU2NWJE0M06004	4000K	24	1295 lm/M	1165 lm/M	90 lm/W	81 lm/W	14.4	>80
6LBU2WWJE0M06004	3000K	24	1165 lm/M	1048 lm/M	81 lm/W	73 lm/W	14.4	>80

5050 RGB 60D/M IP54 CV12V Series

Order code	CCT (K)	Voltage (CV)	Luminous flux TP25°C	Luminous flux TP65°C	Efficacy TP25°C	Efficacy TP65°C	Power (W/M)	Ra
6LBU2M11E0M06004	Red:620-635	12	118 lm/M	106 lm/M	25 lm/W	23 lm/W	4.8	-
	Green:520-535	12	300 lm/M	270 lm/M	63 lm/W	57 lm/W	4.8	-
	Blue:460-475	12	60 lm/M	54 lm/M	12.5lm/W	11.3lm/W	4.8	-

5050 RGB 60D/M IP54 CV24V Series

Order code	CCT (K)	Voltage (CV)	Luminous flux TP25°C	Luminous flux TP65°C	Efficacy TP25°C	Efficacy TP65°C	Power (W/M)	Ra
6LBU2M11E0M06004	Red:620-635	24	118 lm/M	106 lm/M	25 lm/W	23 lm/W	4.8	-
	Green:520-535	24	300 lm/M	270 lm/M	63 lm/W	57 lm/W	4.8	-
	Blue:460-475	24	60 lm/M	54 lm/M	12.5lm/W	11.3lm/W	4.8	-

Notes:

1. The maximum and minimum lumen flux are based on $\pm 10\%$ of the typical rate.
2. The maximum and minimum inout power are based on $\pm 10\%$ of the typical rate

Standards

Energy classification

Type	CCT	Energy Classification
5050 60D/M IP54 CV12V Series 5050 60D/M IP54 CV24V Series	3000K	A+
	4000/6000K	A+
5050RGB 60D/M IP54 CV12V Series 5050RGB 60D/M IP54 CV24V Series	RGB	-

Thermal details

Energy classification

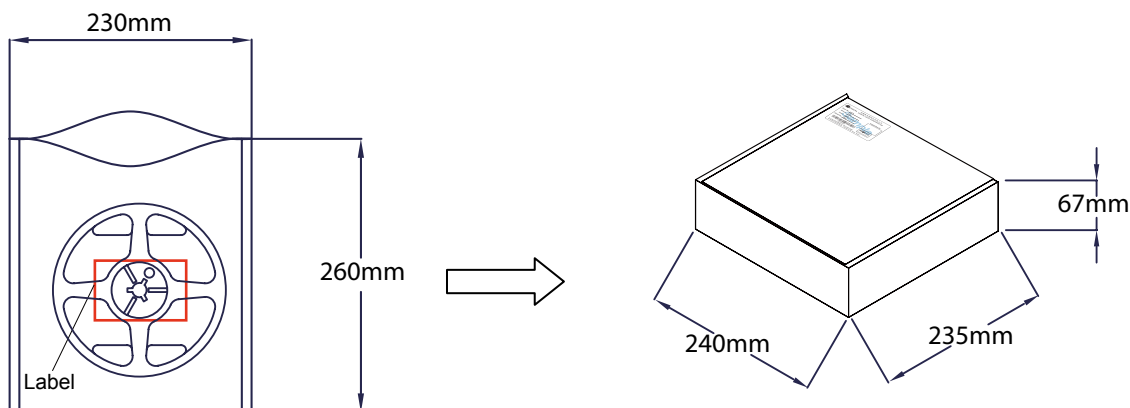
Storage temperature:-35 ... +70 °C

Operation only in non condensing environment.

Humidity during processing of the module should be between 0 to 70 %

Product Packaging Information

Type	Anti-static bag size(mm)	Anti-static bags/ inner box(pcs)	Inner box/ carton(pcs)	Outside Carton size(mm)	GW±5% (kg)
5050-12V-60LED/M Series	260x230x10	4	10	488x261x364	6.7
5050-24V-60LED/M Series	260x230x10	4	10	488x261x364	6.7
5050RGB-12V-60LED/M Series	260x230x10	4	10	488x261x364	7.1
5050RGB-24V-60LED/M Series	260x230x10	4	10	488x261x364	7.1

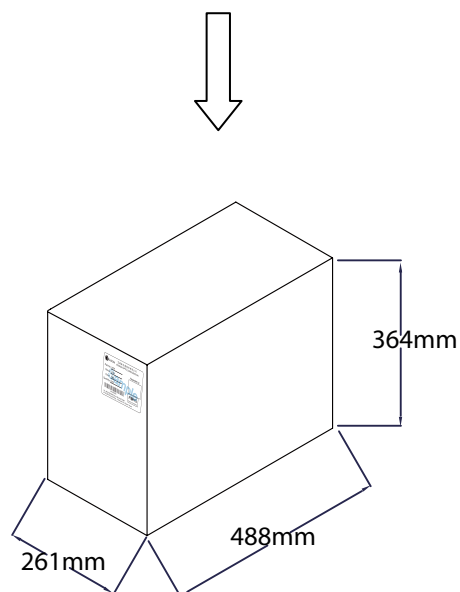


EX:



Label information

Part NO. : Order code
 Color : Color(Emitter BIN color)
 Quantity : The number of packing
 Lot NO. : Date code



Precaution for Use

1. DO NOT use the products with materials has Sulfur.
2. DO NOT assemble in humid environment or the conditions of containing oxidizing gas such as C1, H2S, NH3, SO2, NOX, etc.
3. DO NOT add or change wires while the circuit of Module is active. Long time exposure to sunlight or UV should be avoided.
4. DO NOT press the product; even a slight pressure may damage the product. The environments such as high temperatures, high humidity or direct expose to sunlight should be avoided since the product is sensitive to these conditions.
5. Installation of LED modules (with power supplies) needs to be made with regard to all applicable and safety standards. Only qualified personnel should be allowed to perform installations.
6. Assembly must not damage or destroy conducting paths on the circuit board.
7. Please ensure that the power supply is of adequate power to operate the total load.
8. The maximum run length from any power feed should be limited to 5000 mm.

Environmental Compliance

PLCC lightbar FPC series are compliant to the Restriction of Hazardous Substances Directive or RoHS. The restricted materials including lead, mercury cadmium hexavalent chromium, polybrominated biphenyls (PBB) and polybrominated diphenyl ether (PBDE) are not used in PLCC lightbar FPC series to provide an environmentally friendly product to the customers.

Application Notes

PLCC Lightbar series are available in red, yellow, green, blue, white, neutral white and warm white for application such as under-cabinet lighting, cove lighting and wall washing. Moreover, additional fine-tuned high color rendering index (CRI) version of white, neutral white and warm white all make PLCC Lightbar the ideal lighting choice for vividly building or decoration products, presenting the products outline.

Revision History

Versions	Description	Release Date
1	Establish order code information	2018/10/16
2	Upgrade version	2019/11/04
3	Revise Features and benefits Delete life Information	2020/01/21

About Edison Opto

Edison Opto is a leading manufacturer of high power LED and a solution provider experienced in LDMS. LDMS is an integrated program derived from the four essential technologies in LED lighting applications- Thermal Management, Electrical Scheme, Mechanical Refinement, Optical Optimization, to provide customer with various LED components and modules. More Information about the company and our products can be found at www.edison-opto.com

Copyright©2020 Edison Opto. All rights reserved. No part of publication may be reproduced or transmitted in any form or by any means, electronic or mechanical, including photo copy, recording or any other information storage and retrieval system, without prior permission in writing from the publisher. The information in this publication are subject to change without notice.

www.edison-opto.com

For general assistance please contact:
service@edison-opto.com.tw

For technical assistance please contact:
LED.Detective@edison-opto.com.tw